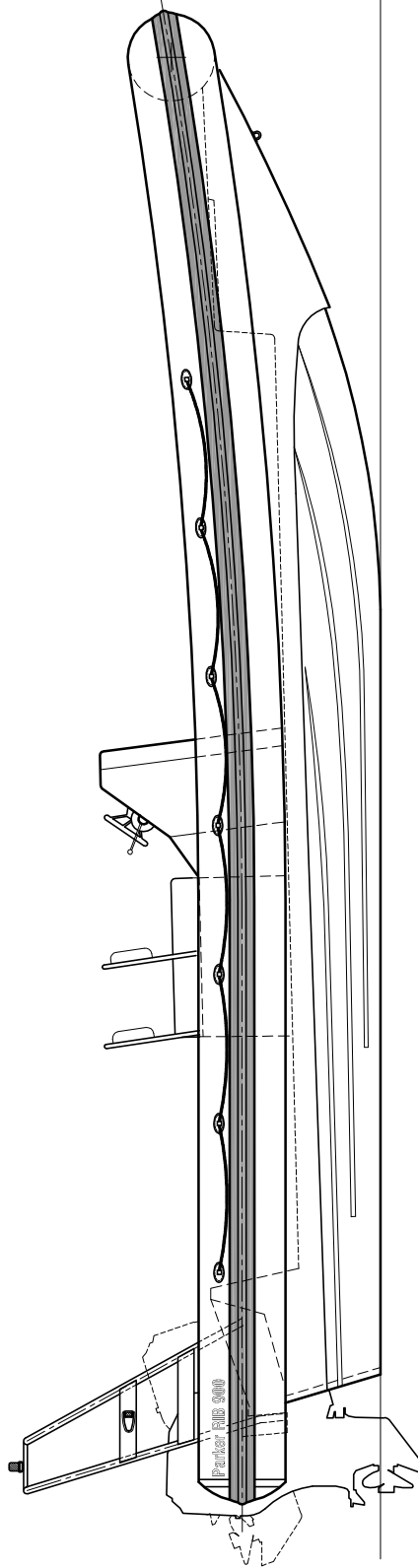
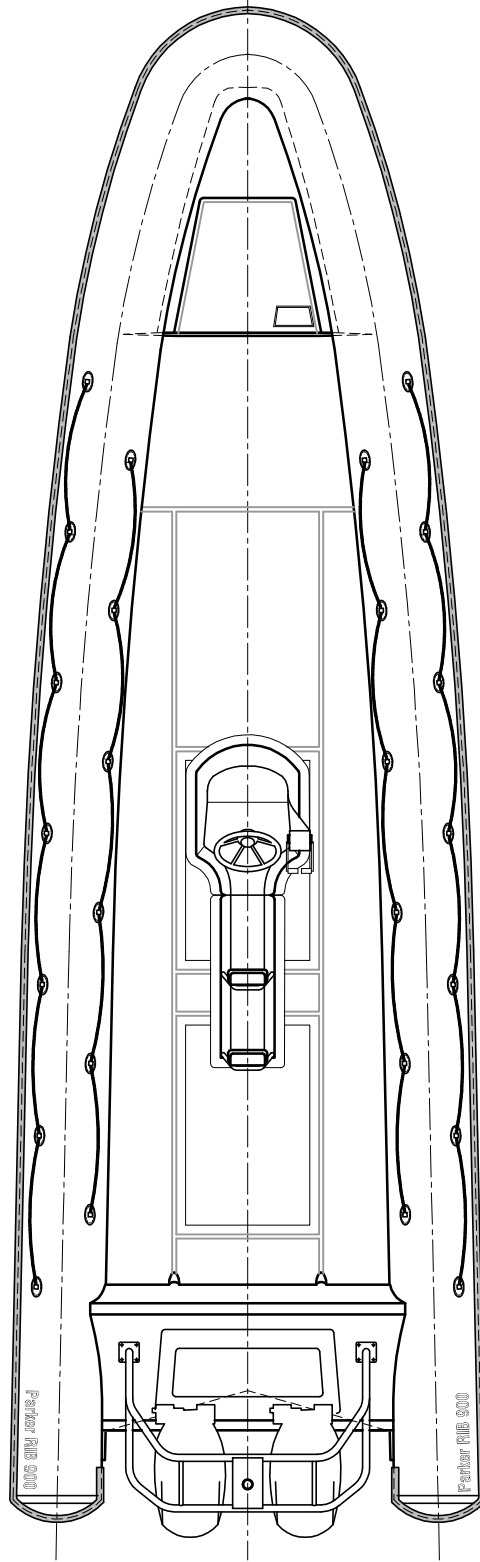




PARKER



PROFILE VIEW



PLAN VIEW

"Rapier Range"
PARKER RIB 900

| | |
|---|--------------|
| LENGTH OVERALL | -9,00 (m) |
| BEAM OVERALL | -2,83 (m) |
| CHAMBER DIAMETER | -0,53 (m) |
| NUMBER OF CHAMBER | -5 (pcs) |
| WEIGHT OF BOAT W/O ENGINE & FUEL | ca.1000 (kg) |
| STANDARD 'CE' ENGINE Mercury 150 Optimax | -2X150 (HP) |
| MAX POWER Mercury 250 | -2X250 (HP) |
| STANDARD 'CE' PERSONS | -16 (pers.) |
| MAX PERSONS | -20 (pers.) |

THIS DRAWING SHALL REMAIN THE PROPERTY OF PARKER LTD. AND IS SUBJECT TO RECALL AT ANY TIME MATERIAL DESCRIBED HEREIN OR PARTS THERE OF MAY NOT BE REPRODUCED, USED, MANUFACTURED OR PUBLICIZED WITHOUT WRITTEN PERMISSION FROM PARKER LTD.